



Solar
Bollard Light

ATLAS



 **IK10**
IMPACT PROTECTION

ATLAS | Solar Bollard Light

Introducing the ATLAS, a high-quality solar lawn lamp that excels in vandal resistance and boasts a stunning aesthetic design. Perfect for public lighting, its head is crafted from super weather-resistant plastic material by the renowned brand SABIC, ensuring exceptional anti-aging, anti-UV, and non-yellowing properties.

The ATLAS solar lawn lamp is versatile and suitable for various applications such as walking paths, villa pathways, camping sites, and backyards. It offers the advantages of simple installation, maintenance-free operation, and a long service life. Among similar products on the market, the ATLAS stands out with its superior quality, consistently performing best in all product tests.



LiFePO4
Battery



Intelligent
Control



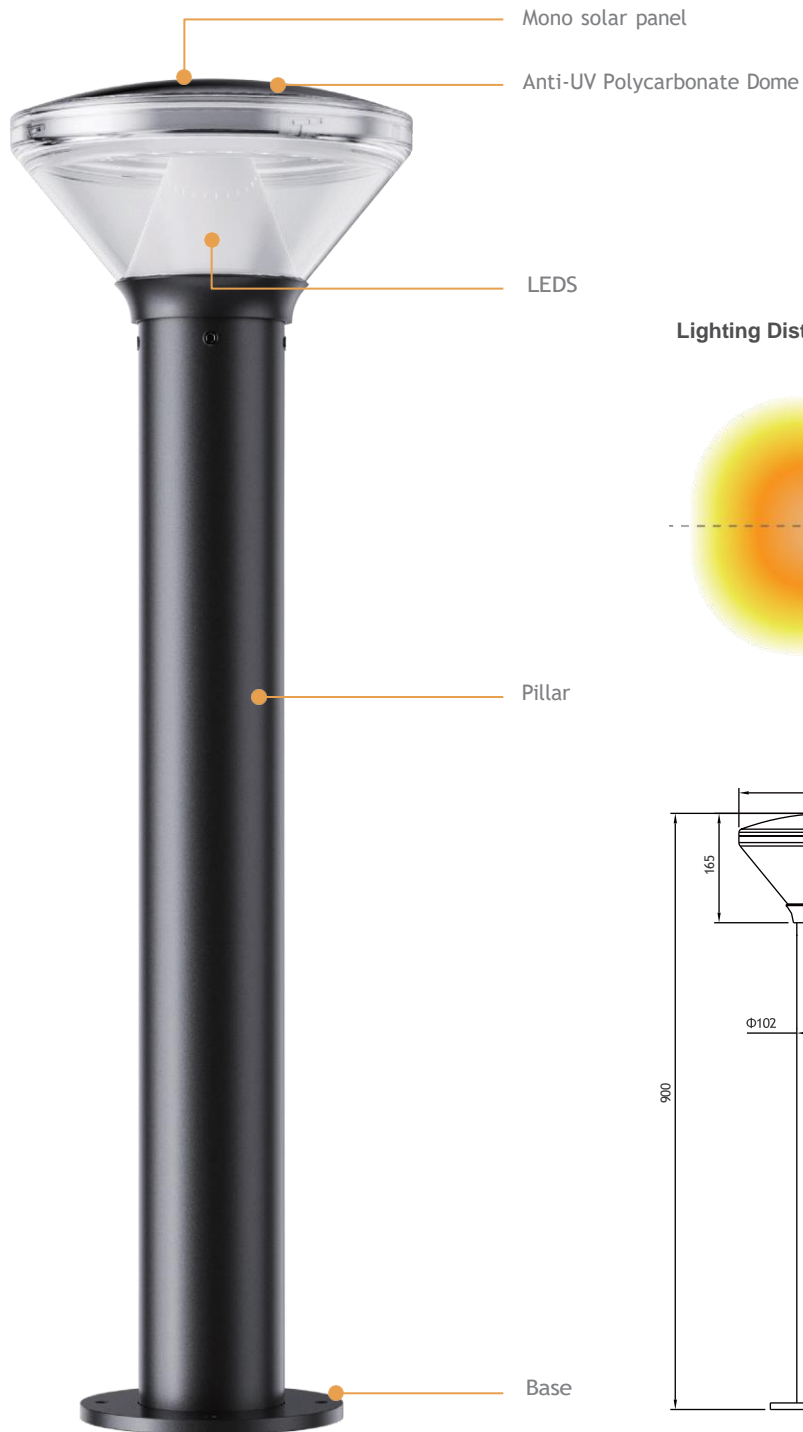
High brightness
LED beads



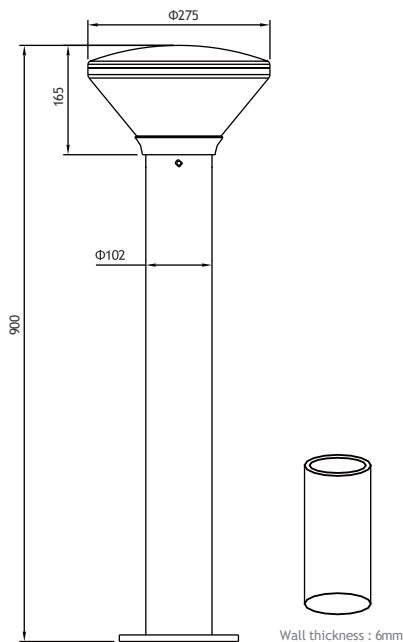
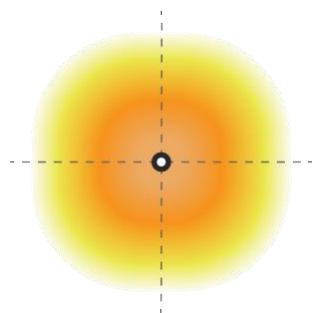
Biodiversity
Protection



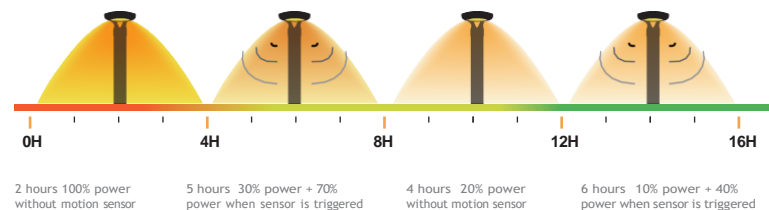
IP65
Waterproof



Lighting Distribution Pattern



Working Mode



36 hours backup with fully charged battery



LED power is automatically adjusted to save energy.



Dusk to Dawn automatically ON/OFF



LiFePO4 battery inside more than 10 years lifetime



Equipped PIR motion sensor to save energy



High luminous flux output up to 280lm performance

Model

Lighting performance
Solar panel
Product size
CCT
LiFePO4 battery
Charge & discharge time
Fixture color
Certificates
Warranty

ATLAS

1.5W >280lm
5V 6.2W
Φ 275*900mm
2200K-6500K
3.2V 12AH
5 & >24 hours
Black / Grey
CE IP65 IK10
5 years

ATLAS
Solar Bollard Light